

# MODEL 818 WTP

GANTRY MOUNTED TOP LIFT SPREADER  
FOR LADEN CONTAINER HANDLING



## Standard supply includes:

- ◆ Mounting arrangement to fit the gantry
- ◆ Mechanical pile slope (MPS)
- ◆ Four vertical pendular ISO twistlocks
- ◆ Lifting eyes near twistlocks
- ◆ Hydraulic telescoping
- ◆ Hydraulic slew and reach
- ◆ Solenoid valves for all hydraulic functions
- ◆ Electrical and mechanical twistlock protection and indication system
- ◆ Electric telescoping protection system
- ◆ Lift interrupt signal
- ◆ LED-indication lights
- ◆ LED-work lights
- ◆ WTP

**ELME Spreader Model 818 WTP is a telescopic top lift spreader for handling of laden ISO, WTP and US-domestic containers weighing up to 45 tonnes. 818 WTP is designed for use under a gantry at the front of a lift truck.**

The strong and basic concept offers distinct advantages, such as two parallel telescopic beams, assuring max overlap. The beam sections are dimensioned to absorb not only the vertical, but also the very considerable horizontal forces.

### TWISTLOCK SYSTEM

The twistlock system is manufactured in a rugged design and is well-proven since many years. 818 WTP has hardened ISO quick exchange pendular twistlocks, hydraulically activated and mechanical interlocking against faulty locking and unlocking.

### GANTRY MOUNTING WITH MECHANICAL PILE SLOPE

Gantry mounting is used for lift trucks, dedicated to container handling only. The system increases the residual capacity of the truck when compared to fork mounting, and is the more economical solution. Four telescopic hangers connect the spreader to the gantry. Gravity assures the level position of the spreader, with or without load. However, the hangers will allow the spreader to automatically adapt to containers on trailers or on uneven ground.

### TELESCOPING, SLEW, REACH AND SIDESHIFT SYSTEM

Telescoping is powered by one hydraulic cylinder inside each beam. The slew and reach motions are possible thanks to two hydraulic cylinders that connect the spreader to the gantry. By powering either one or both cylinders, the slew and reach functions are activated. A third cylinder between spreader and gantry provides the sideshift motion.

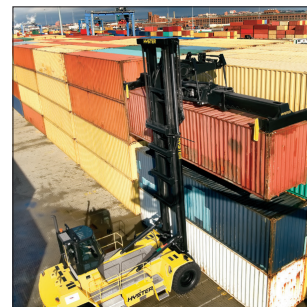
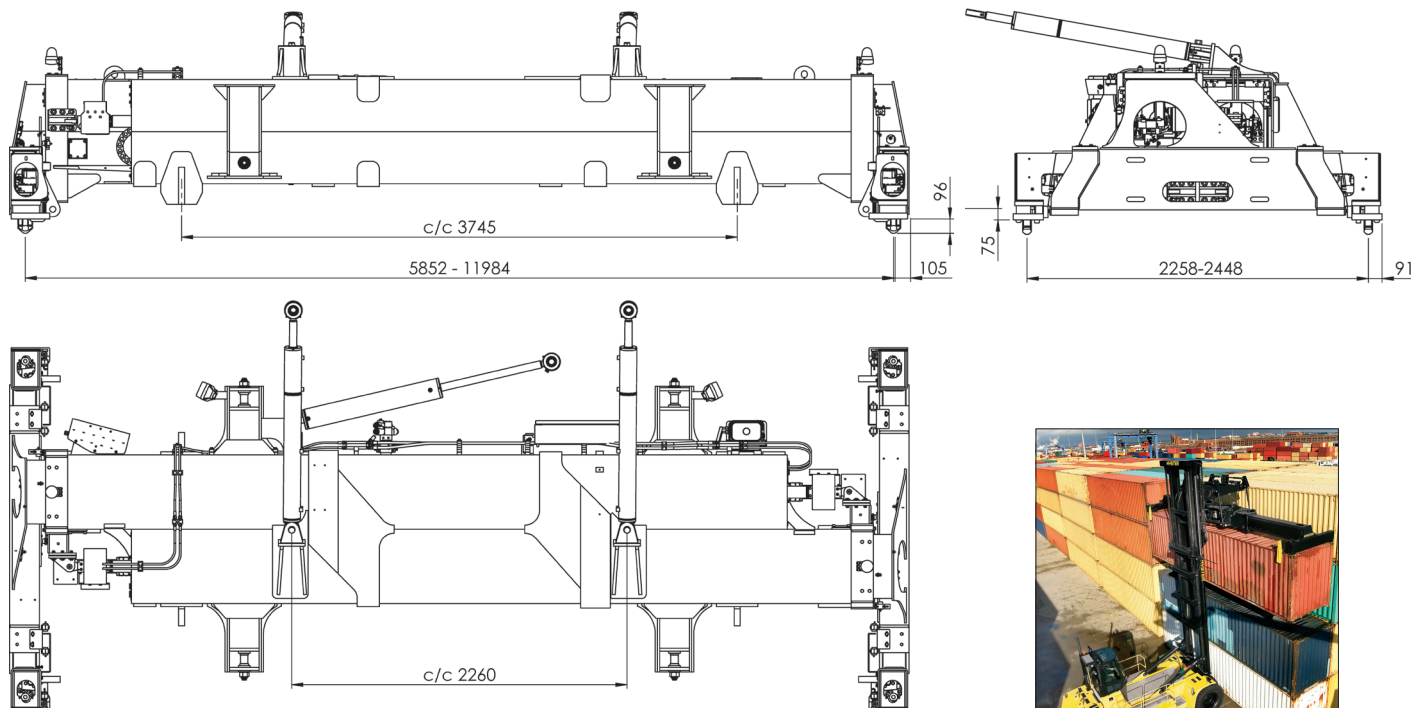
### WTP-SYSTEM

The WTP option built into the spreader endbeams allows the operator to hydraulically change the twistlock positions to handle ISO and US-domestic containers as well as WTP containers.

### CONTROL AND PROTECTION SYSTEM

Electrical systems monitor the state of the spreader at all times. Indicator lights advise the operator when the spreader is correctly seated, locked or not locked. Each signal is a precondition for the important protection functions of the spreader such as twistlock activation, telescoping and lift interrupt.

# MODEL 818 WTP



818.

## TECHNICAL SPECIFICATIONS

Type of application	Gantry mounted
Type of lifting system	Four vertical twistlocks
Spreader weight (TW)	7 000 kgs without extra equipment
Lifting capacity (SWL), spreader	45 tonnes ± 10 % eccentric load
Lifting capacity (SWL), lifting eyes	4 x 11,25 tonnes
Twistlock	ISO pendular 20 mm
WTP-option	< 5 sec.* ISO pos. 2 258 mm WTP pos. 2 448 mm
Telescoping positions	20 and 40ft
Telescoping speed, 20-40ft	< 20 sec.*
Telescoping speed, 40-20ft	< 25 sec.*
Slew	± 6°
Reach	0-230 mm
Sideshift, +/- 400 mm	7 sec.*
Mechanical pile slope (MPS)	± 6°
Hydraulics, operating pressure up to	140 bar
Hydraulics, flow	40-60 L/min
Electric - control voltage	24 VDC
Colour	Black grey RAL 7021
Paint thickness	150 µ



Twistlock and lifting eye.



Gantry and hangers.

\* Calculated speed at 20° C

All specifications are subject to change without notice. A list of options enables you to adapt the product more precisely to your needs and further information is available on request.

### HEAD QUARTER AND PRODUCTION ELME Spreader AB

Phone +46 10 222 18 00  
Email sales@elme.com  
Website www.elme.com

### SALES AND SPARE PARTS ELME Spreader Trading (Shanghai) Co., Ltd

Phone +86 21 5169 8922  
Email sales.cn@elme.com

### SPARE PARTS ELME Americas Inc.

Phone +1 731 588 02 20  
+1 731 332 09 29  
Email sales.us@elme.com

Visit [www.elme.com](http://www.elme.com) for details, spare parts and more products.

**ELME**<sup>TM</sup>  
Swedish Spreader Systems