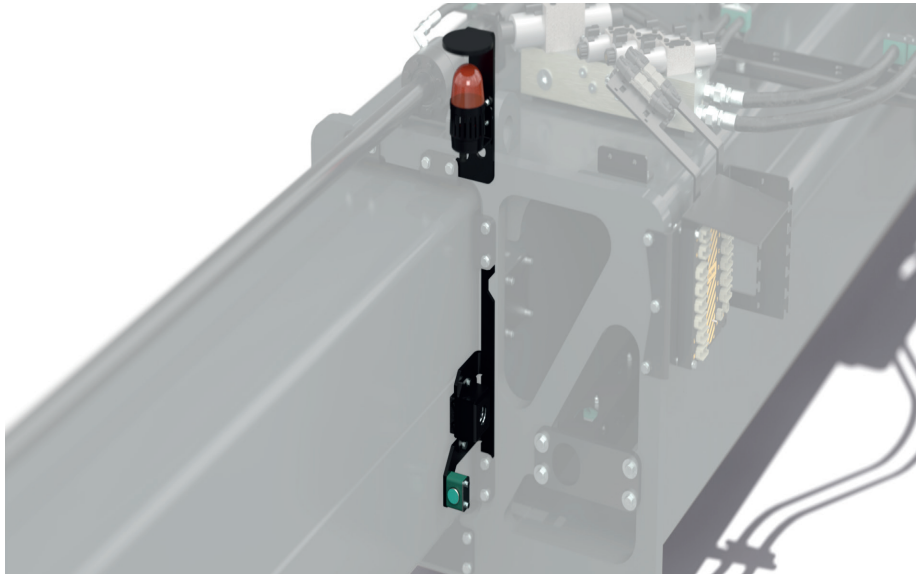


# INDICATION 20/40FT POSITION SENSORS WITH WARNING LIGHTS

## ADD-ON KIT



The image displays an example of the add-on installed on a specific spreader model and may differ between models.

**THE IDEA OF THE ELME ADD-ON KIT** is to facilitate the possibility of adding options to your spreader after the initial purchase, using genuine parts that are designed to specifically fit your spreader.

Every add-on kit contains all necessities for the chosen option, including all genuine parts and documentation needed for a fast and easy installation.

The add-on kit enables adding options to your spreader - at any chosen time. You get a reliable and simple installation, thus a low and cost-effective downtime during installation. In addition, you get a 1-year warranty on the included components.

**INDICATION 20/40FT POSITION SENSORS WITH WARNING LIGHTS** serves as an additional assurance for the operator to know the positioning of the beams.

This add-on kit also gives you the opportunity to keep statistics of the various sizes of containers handled at the terminal to gain full control of the container flow.

The warning lights and sound will aware the surroundings that the beams are moving into a different position.

### **PARTS INCLUDED IN THE KIT:**

- Sensors
- Warning lights
- Assembly material
- Cable harness
- Software update
- Installation instructions

### **THE ADD-ON KIT IS VALID FOR:**

- Standard model 817 INNOVATION
- Standard model 817 INNOVATION WTP



## ELME GENUINE PARTS - PERFORMANCE, RELIABILITY AND SAFETY

An ELME spreader consists of more than 3,000 parts – all carefully designed and built to provide the highest possible level of **performance**. Elme Genuine Parts, our range of approved spare parts and accessories, are 100 % made for your ELME spreader – with the exact right qualities, dimensions and features – to secure the **reliability** and **safety** of your product. By using ELME genuine parts, you always get parts you can rely on and true peace of mind. If you are using non-genuine parts, you put weak links into a strong, perfectly designed chain of interactive components.

On a number of our spare parts we expand **safety** and traceability with a tooled product labeling, everything to improve the certainty of using genuine parts. Another example of this process is our twistlock certificate. This document ensures the origin and quality of the twistlocks and certifies that the twistlocks are tested.

Every single part of an ELME spreader is built at our plant in Älmhult, Sweden. And that's the way it's been since 1974. All the work is carried out here - from design and product development to manufacturing, assembling and testing. This unique approach lets us have 100 % control over the production and the final quality of our products. It's our way to ensure the **performance**, **reliability** and **safety**.

Please visit [www.elme.com](http://www.elme.com) for more information.

### HEAD QUARTER AND PRODUCTION ELME Spreader AB

Phone +46 10 222 18 00  
Email [sales@elme.com](mailto:sales@elme.com)  
Website [www.elme.com](http://www.elme.com)

### SALES AND SPARE PARTS ELME Spreader Trading (Shanghai) Co., Ltd

Phone +86 21 5169 8922  
Email [sales.cn@elme.com](mailto:sales.cn@elme.com)

### SPARE PARTS ELME Americas Inc.

Phone +1 731 588 02 20  
+1 731 332 09 29  
Email [sales.us@elme.com](mailto:sales.us@elme.com)