

MODEL 586TB INNOVATION^[E]

FOR EMPTY CONTAINER HANDLING
WITH LIFT TRUCKS



Standard supply includes:

- ◆ Integrated mounting to fit the truck
- ◆ Mechanical pile slope (MPS), floating function in the end-posts
- ◆ Powered pile slope (PPS) available as an option
- ◆ Two vertical ISO twistlocks
- ◆ Manually adjustable heads
- ◆ Hydraulic telescoping system
- ◆ Hydraulic sideshift
- ◆ Solenoid valves for all hydraulic functions
- ◆ Electrical and mechanical twistlock protection system
- ◆ Electric twistlock indication
- ◆ Electric telescoping protection system
- ◆ Lift interrupt signal
- ◆ 3x LED indication lights
- ◆ 4x LED work lights (1000 lumen/light)

The ELME Spreader Model 586TB INNOVATION is the New Generation telescopic side lift spreader with vertical twistlocks for the handling of single empty 20 to 40ft ISO and Binnencontainers with a width up to 8'6".

586TB INNOVATION is designed to be integrated in the mast of a forklift truck. The spreader can handle ISO and Binnencontainer corner castings with container widths up to 8'6" by manually removing spacer blocks and bottom support extenders. It also handles one 45ft container in 40ft's position.

INNOVATIVE DESIGN

INNOVATION's heavy duty single handling spreaders originates from the double handling design concept. The new and improved design implies a reinforced spreader with an increased structural strength, enhanced durability, optimized hydraulic system, increased visibility for the driver and numerous other improvements for an outstanding functionality.

Mechanical pile slope (MPS) in 586TB INN. are vertical floating end-posts, including the bottom support. Floating end-posts simplifies picking up containers in a slanted angle.

TWISTLOCK SYSTEM

The twistlock system is manufactured in a rugged design and is well-proven since many years.

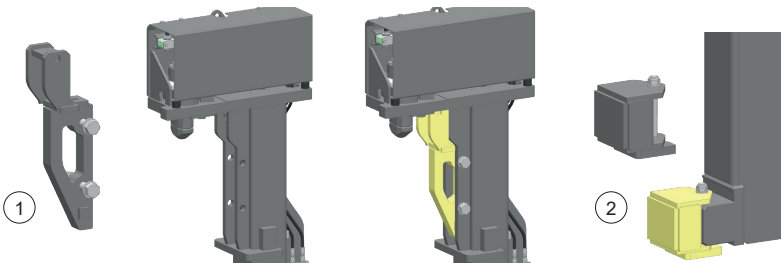
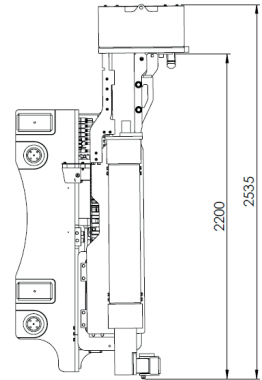
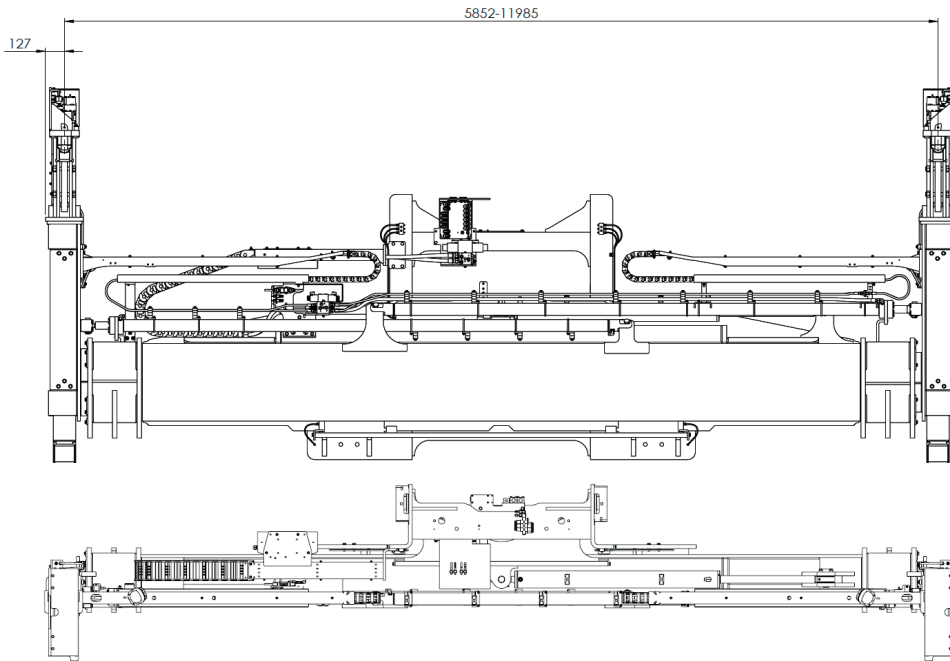
586TB INN. has hardened ISO quick exchange twistlocks, hydraulically activated and mechanical interlocking against faulty locking and unlocking. The vertical twistlock principle offers the following features:

- ◆ Two twistlocks enter the top corner castings and lock the spreader onto the container.
- ◆ 586TB INNOVATION's width is adapted to the dimensions of the container, which means that all containers can be fully blockstacked and still remain accessible.

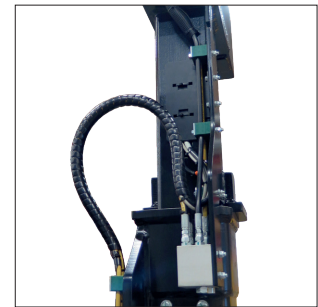
CONTROL AND PROTECTION SYSTEM

The ELME Neuron CAN bus system, designed for maximum robustness, monitors the state of the spreader at all times. Indicator lights advise the operator when the spreader is correctly seated, locked or not locked. Each signal is a precondition for the important protection functions of the spreader such as twistlock activation, telescoping and lift interrupt. Neuron uses J1939 protocol which provides fault code messaging to alert driver and maintenance personnel of possible component failures.

MODEL 586TB INNOVATION^[E]



By manually adding or removing spacer blocks ① and bottom support extenders ② it is possible to handle ISO and Binnencontainers up to 8'6" wide.



Improved design with built-in cabling and larger bending radius for hydraulic hose between pocket and end-post.



586TB INNOVATION head and removable spacer block.

All specifications are subject to change without notice. A list of options enables you to adapt the product more precisely to your needs and further information is available on request.

TECHNICAL SPECIFICATIONS

Type of lifting system	Two vertical ISO twistlocks
Type of stacking	Normal and blockstacking
Spreader weight (TW)	3 600 kg
Carriage weight (MPS)	Approx. 1 000 kg
Lifting capacity (SWL)	9 tonnes
Telescopic positions	20 and 40ft
Telescoping speed, 20-40ft	< 12 sec.*
Telescoping speed, 40-20ft	< 14 sec.*
Sideshift	± 600 optional ± 400 mm
Mechanical pileslope (MPS), vertical floating end-posts	At 20ft position: approx. 180 mm At 40ft position: approx. 180 mm
Hydraulics, operating pressure up to	140 bar
Hydraulics, flow	Max. 60 L/min
Electric - control voltage	24 VDC
Communication	CAN 2.0B
Colour	Black grey RAL 7021

* Calculated speed at 60 L/min

HEAD QUARTER AND PRODUCTION

ELME Spreader AB

Phone +46 10 222 18 00
Email sales@elme.com
Website www.elme.com

SALES AND SPARE PARTS

ELME Spreader Trading (Shanghai) Co., Ltd

Phone +86 21 5169 8922
Email sales.cn@elme.com

SPARE PARTS

ELME Americas Inc.

Phone +1 731 588 02 20
Email sales.us@elme.com

For details, spare parts and more products, visit www.elme.com.

ELMETM
Swedish Spreader Systems