

MODEL 508

FOR EMPTY CONTAINER HANDLING
WITH LIFT TRUCKS



Standard supply includes:

- Integrated mounting to fit the truck
- Two vertical pendular ISO twistlocks
- Hydraulic bottom support
- Hydraulic sideshift
- Solenoid valves for all hydraulic functions
- Electrical and mechanical twistlock protection and indication system
- Lift interrupt signal
- LED-indication lights
- LED-work lights

ELME Spreader Model 508 is a fixed end lift spreader for handling of empty ISO containers.

The spreader is designed to be integrated on the carriage in the mast of a lift truck and can handle one empty 20ft ISO container from the short side.

The spreader is designed to handle 8ft wide containers with c/c 2258 mm between the two twistlocks. Bottom support is hydraulically adjustable so that the spreader can handle various heights of containers.

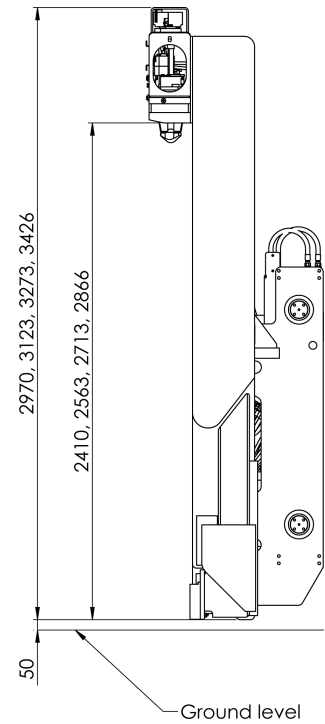
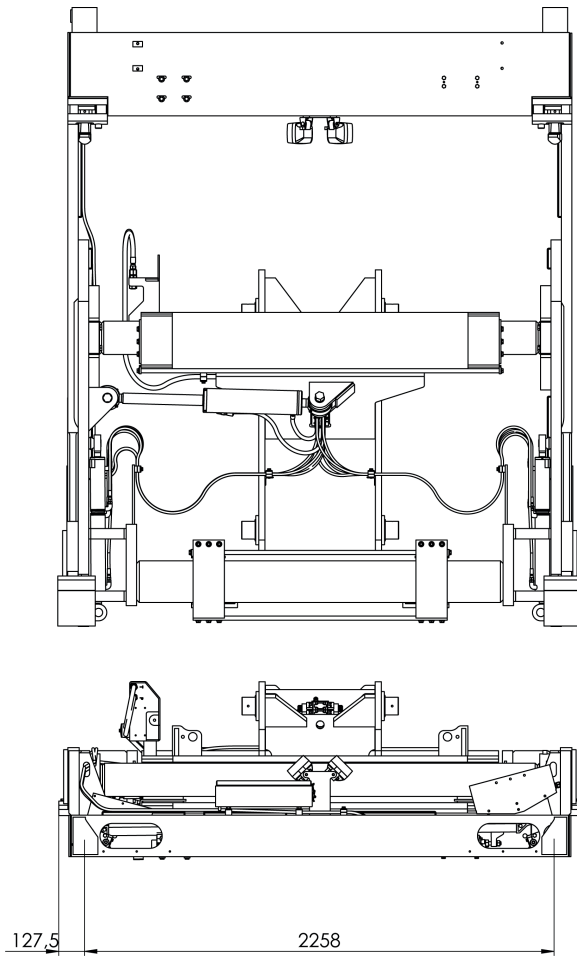
TWISTLOCK SYSTEM

The twistlock system is manufactured in a rugged design and is well-proven since many years. 508 has hardened ISO quick exchange pendular twistlocks. Hydraulically activated and mechanical interlocking against faulty locking and unlocking.

CONTROL AND PROTECTION SYSTEM

Electrical systems monitor the state of the spreader at all times. Indicator lights advise the operator when the spreader is correctly seated, locked or not locked. Each signal is a precondition for the important protection functions of the spreader such as twistlock activation and lift interrupt.

MODEL 508

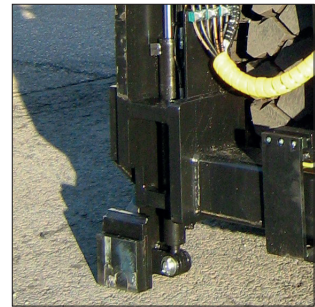


TECHNICAL SPECIFICATIONS

Type of lifting system	Two vertical twistlocks
Type of stacking	Normal and block stacking
Spreader weight (TW)	3 500 kgs
Carriage weight (TW)	1 100 kgs
Lifting capacity (SWL), spreader	8 tonnes
Sideshift	± 150 mm
Hydraulics, operating pressure up to	140 bar
Hydraulics, flow	40-60 L/min
Electric - control voltage	24 VDC
Colour	Black grey RAL 7021
Paint thickness	150 µ

* Calculated speed at 20° C

All specifications are subject to change without notice. A list of options enables you to adapt the product more precisely to your needs and further information is available on request.



Hydraulically adjustable bottom support.



Twistlock.

HEAD QUARTER AND PRODUCTION

ELME Spreader AB

Phone +46 476 558 00
 Email sales@elme.com
 Website www.elme.com

SALES AND SPARE PARTS

ELME Spreader Trading (Shanghai) Co., Ltd

Phone +86 21 5169 8922
 Email sales.cn@elme.com

SPARE PARTS

ELME Americas Inc.

Phone +1 731 588 02 20
 Email sales.us@elme.com

For details, spare parts and more products, visit www.elme.com

ELMETM
 Swedish Spreader Systems