

MODEL 8310

FOR LADEN CONTAINER HANDLING
SHIP TO SHORE (STS) CRANES



Standard supply includes:

- Mounting arrangement to fit crane
- Mechanical pile slope (MPS)
- Four pendular ISO twistlocks
- Lifting eyes near twistlocks
- Hydraulic telescoping
- Solenoid valves for all hydraulic functions
- Electrical and mechanical twistlock protection and indication system
- Electric telescoping protection system
- Lift interrupt signal
- LED-indication lights

Spreader Model 8310 is a telescopic top spreader for handling of laden ISO containers up to 45 tonnes. 8310 is designed for mounting on Ship To Shore (STS) cranes.

The strong and basic concept offers distinct advantages, such as two parallel telescopic beams, assuring max overlap. Beam sections dimensioned to absorb not only the vertical, but also the very considerable horizontal forces.

TWISTLOCK SYSTEM

The twistlock system is manufactured in a very rugged design and is well-proven since many years. 8310 has hardened, penduling ISO quick exchange twistlocks, hydraulically activated with electrical and mechanical interlocking against faulty locking and unlocking.

TELESCOPING SYSTEM

Telescoping is powered by one hydraulic cylinder in each beam.

HYDRAULIC SYSTEM

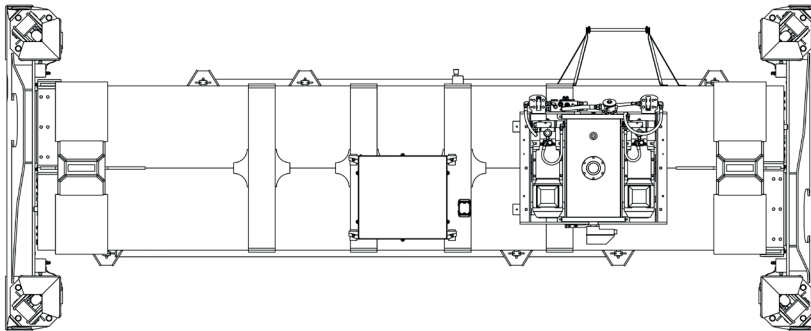
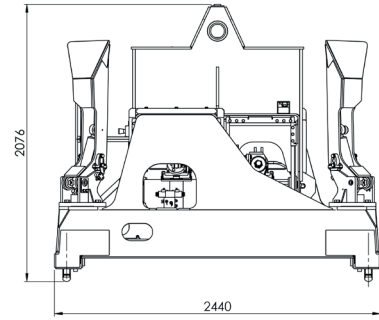
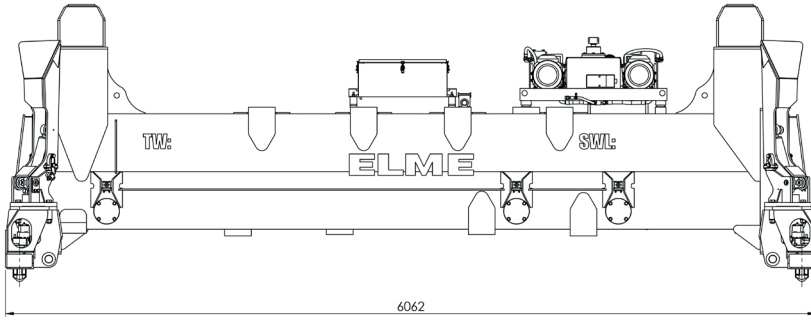
Double electric motor and pump assemblies assure simultaneous telescoping of both beams. The spreader can be operated with one electric motor and pump.

CONTROL AND PROTECTION SYSTEM

For safety and reliability reasons, the control voltage on the spreader is always converted to 24V DC. Electrical systems monitor the state of the spreader at all times.

Indicator lights advise the operator when the spreader is correctly seated, locked or not locked. Each signal is a precondition for the important protection functions of the spreader, such as twistlock activation, telescoping and lift interrupt.

MODEL 8310



8310.



Powerpack.



Flippers.

Technical specifications

Type of application		STS
Spreader weight (TW)		11 000 kgs without extra equipment
Lifting capacity (SWL)	spreader	45 tonnes \pm 10 % eccentric load
	lifting eyes	4 x 11,25 tonnes
Twistlock		ISO pendular 20 mm
Telescopic positions		20, 40ft
Telescoping speed	from 20-40ft	< 25 sec.*
Flippers (4 flippers)	speed	7,5 sec.
	gathering force	6284 N
	down force	4190 N
Hydraulics	operating pressure up to	140 bar
	flow / tank volume	46 L/min (2x23) / 90 L
Power supply		400 VAC/50 Hz
Electrical motors		2 x 4 kW
Electric - control voltage		24 VDC
Colour		Signal yellow RAL 1003
Paint thickness		220 μ

* Calculated speed at 20° C

All specifications are subject to change without notice. A list of options enables you to adapt the product more precisely to your needs and further information is available on request.

HEAD QUARTER AND PRODUCTION ELME Spreader AB

Phone +46 476 558 00
Email sales@elme.com
Website www.elme.com

SALES AND SPARE PARTS ELME Spreader Trading (Shanghai) Co., Ltd

Phone +86 21 5169 8922
Email sales.cn@elme.com

SPARE PARTS ELME Americas Inc.

Phone +1 731 588 02 20
Email sales.us@elme.com

For details, spare parts and more products, visit www.elme.com.

ELMETM
Swedish Spreader Systems