

MODEL 584LD

FOR EMPTY CONTAINER HANDLING
WITH LIFT TRUCKS



Standard supply includes:

- Integrated mounting to fit the truck
- Mechanical pile slope (MPS), floating function in the end-posts
- Two lifting hooks
- Two hydraulic side clamps for securing the containers
- Hydraulic telescoping
- Hydraulic sideshift
- Solenoid valves for all hydraulic functions
- Electrical container detection system
- Electric telescoping protection system
- Lift interrupt signal
- LED-indication lights
- LED-work lights

The ELME Spreader Model 584LD is a telescopic side lift spreader for the handling of two empty ISO containers simultaneously. 584LD engage and secure two containers with two horizontal lifting hooks and side clamps.

The spreader is designed to be integrated on the carriage in the mast of a forklift truck and can handle one or two containers in 20 to 40ft. Special for 584LD is that the spreader also can handle one 45ft container in 40ft:s corner castings and drive in free speed with one or two 20 and 40ft containers and in 10 Km/h with one 45ft. The spreader has a low single profile type main frame which enhances visibility when high stacking.

Mechanical pile slope (MPS) in 584LD are vertical floating end-posts, including the bottom support. Floating end-posts simplifies picking up containers in a slanted angle.

LIFTING HOOK SYSTEM

The lifting hook principle offers the following features:

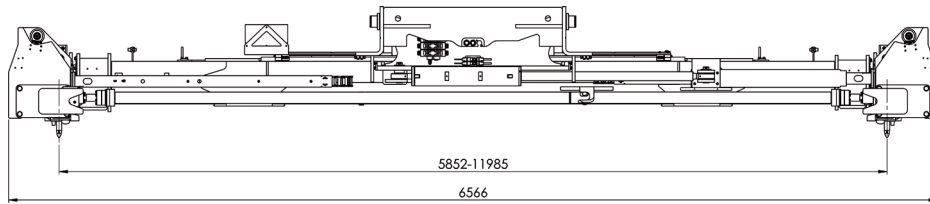
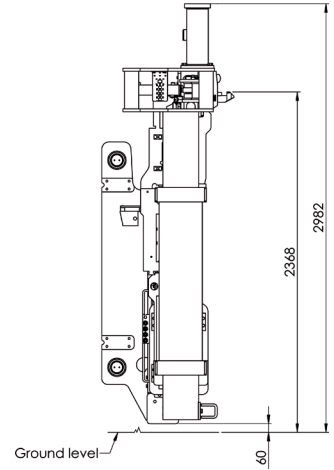
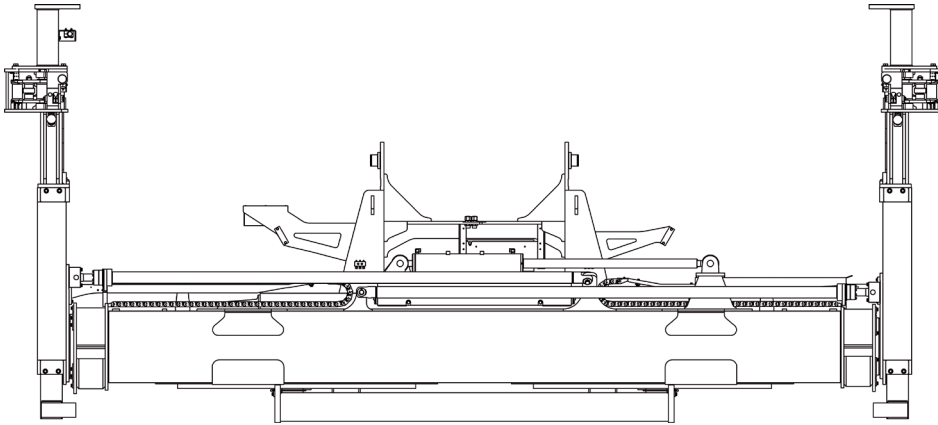
- Two lifting hooks enter the side on the top corner castings of the lower container and two hydraulic side clamps will enter the apertures of both containers.

- ISO and Binnencontainers can be picked up without any modifications to the spreader.

CONTROL AND PROTECTION SYSTEM

Electrical systems monitor the state of the spreader at all times. Indicator lights advise the operator when the spreader is correctly seated, locked or not locked. Each signal is a precondition for the important protection functions of the spreader. Such as side clamp activation, telescoping and lift interrupt.

MODEL 584LD



584LD.



Head.



Side clamp.

TECHNICAL SPECIFICATIONS

Type of lifting system	Two lifting hooks with side clamps
Type of stacking	Normal and block stacking
Spreader weight (TW)	4 000 kgs
Carriage weight	1 110 kgs
Lifting capacity (SWL)	10 tonnes
Telescopic positions	20 and 40ft
Telescoping speed, 20-40ft	< 14 sec.*
Telescoping speed, 40-20ft	< 17 sec.*
Sideshift	± 300 optional ± 600 mm
Mechanical pile slope (MPS)	At 20ft position: 200 mm At 40ft position: 200 mm
Hydraulics, operating pressure up to	140 bar
Hydraulics, flow	40-60 L/min
Electric - control voltage	24 VDC
Colour	Black grey RAL 7021
Paint thickness	150 µ <small>* Calculated speed at 20° C</small>

All specifications are subject to change without notice. A list of options enables you to adapt the product more precisely to your needs and further information is available on request.

HEAD QUARTER AND PRODUCTION ELME Spreader AB

Phone +46 476 558 00
Email sales@elme.com
Website www.elme.com

SALES AND SPARE PARTS ELME Spreader Trading (Shanghai) Co., Ltd

Phone +86 21 5169 8922
Email sales.cn@elme.com

SPARE PARTS ELME Americas Inc.

Phone +1 731 588 02 20
Email sales.us@elme.com

For details, spare parts and more products, visit www.elme.com.

ELMETM
Swedish Spreader Systems