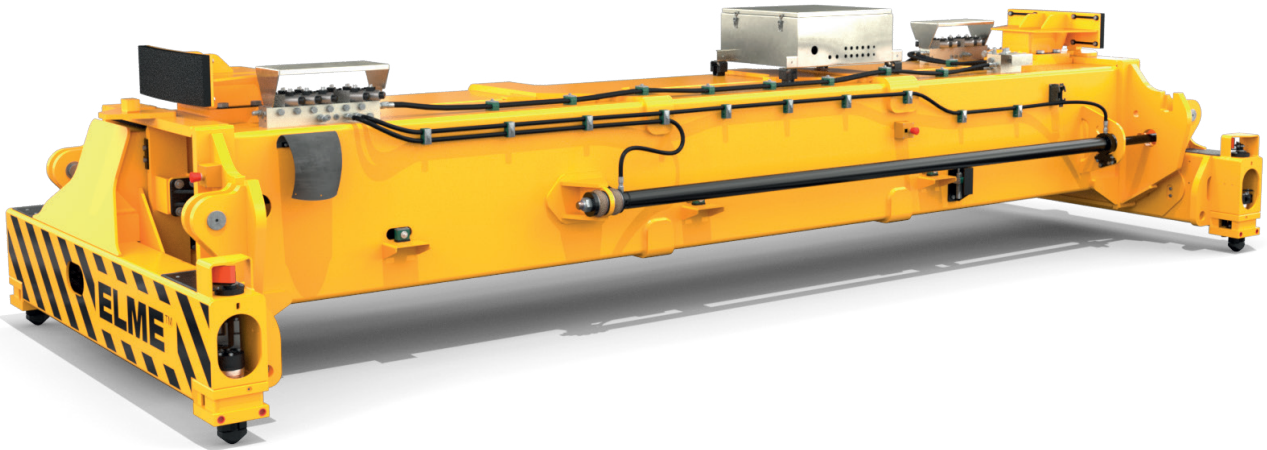


MODEL 816

FOR LADEN CONTAINER HANDLING
WITH STRADDLE CARRIERS



Standard supply includes:

- Pick-up points to fit the yoke beam of the straddle carrier
- Four pendular ISO twistlocks
- Lifting eyes near twistlocks
- Hydraulic telescoping
- Hydraulically and mechanically controlled stop pins
- Solenoid valves for all hydraulic functions
- Electrical and mechanical twistlock protection and indication system
- Electric telescoping protection system
- Lift interrupt signal

ELME Spreader Model 816 is a telescopic top spreader for the handling of laden ISO containers. 816 is designed for use with straddle carriers.

The strong and basic concept offers distinct advantages, such as two parallel telescopic beams, assuring max overlap. Beam sections dimensioned to absorb not only the vertical, but also the very considerable horizontal forces.

TWISTLOCK SYSTEM

The twistlock system is manufactured in a rugged design and is well proven since many years. 816 has hardened, pendulling ISO quick exchange twistlocks, hydraulically activated with electrical and mechanical interlocking against faulty locking and unlocking.

TELESCOPING SYSTEM

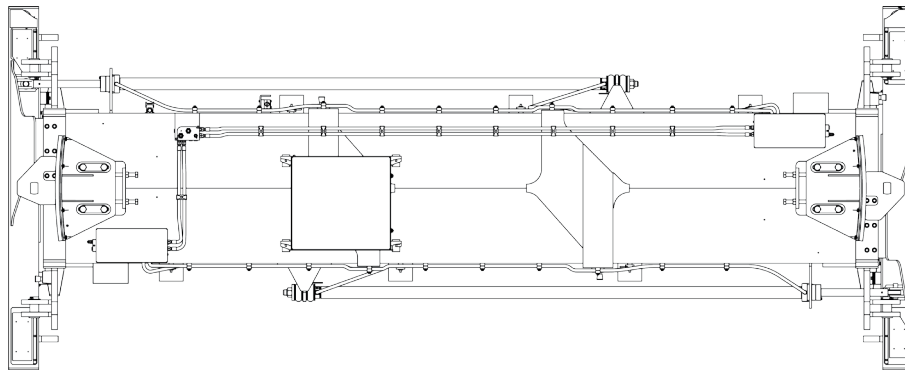
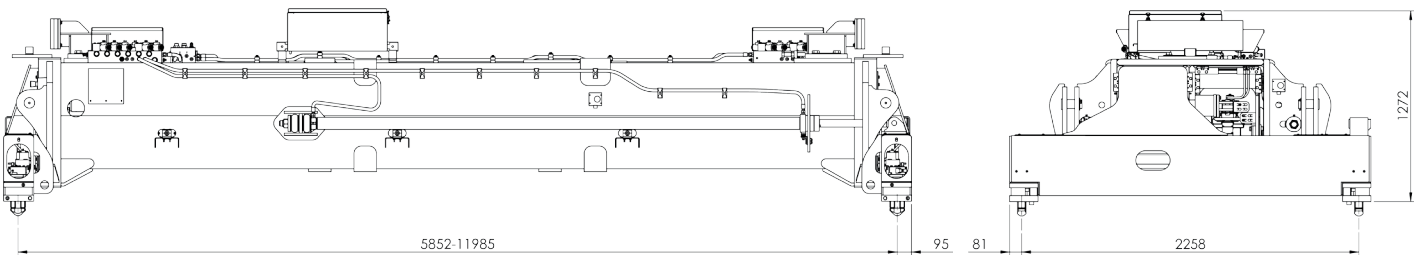
Telescoping is powered by one hydraulic cylinder outside each beam.

CONTROL AND PROTECTION SYSTEM

Control voltage on the spreader is always converted to 24V DC for safety and reliability. Electrical systems monitor the state of the spreader at all times and gives signals when the spreader is correctly seated, locked or not locked.

Each signal is a precondition for the important protection functions of the spreader. Such as twistlock activation, telescoping and lift interrupt.

MODEL 816



816.

TECHNICAL SPECIFICATIONS

Type of application	Straddle carrier
Type of lifting system	Four vertical twistlocks
Spreader weight (TW)	7 300 kgs without extra equipment
Lifting capacity (SWL)	40 tonnes +/- 10 % eccentric load
Lifting capacity (SWL), lifting eyes	4 x 10 tonnes
Twistlock	ISO pendular 20 mm
Telescopic positions	20, 30 and 40ft
Telescoping speed, 20-40ft	< 20 sec.*
Telescoping speed, 40-20ft	< 25 sec.*
Hydraulics, operating pressure up to	140 bar
Hydraulics, flow	40-60 L/min
Electric - control voltage	24 VDC
Colour	Signal yellow RAL 1003
Paint thickness	220 µ

* Calculated speed at 20° C

All specifications are subject to change without notice. A list of options enables you to adapt the product more precisely to your needs and further information is available on request.



Pickup point.



Twistlock and lifting eye.

HEAD QUARTER AND PRODUCTION ELME Spreader AB

Phone +46 476 558 00
Email sales@elme.com
Website www.elme.com

SALES AND SPARE PARTS ELME Spreader Trading (Shanghai) Co., Ltd

Phone +86 21 5169 8922
Email sales.cn@elme.com

SPARE PARTS

ELME Americas Inc.
Phone +1 731 588 02 00
Email sales.us@elme.com

For details, spare parts and more products, visit www.elme.com.

ELMETM
Swedish Spreader Systems