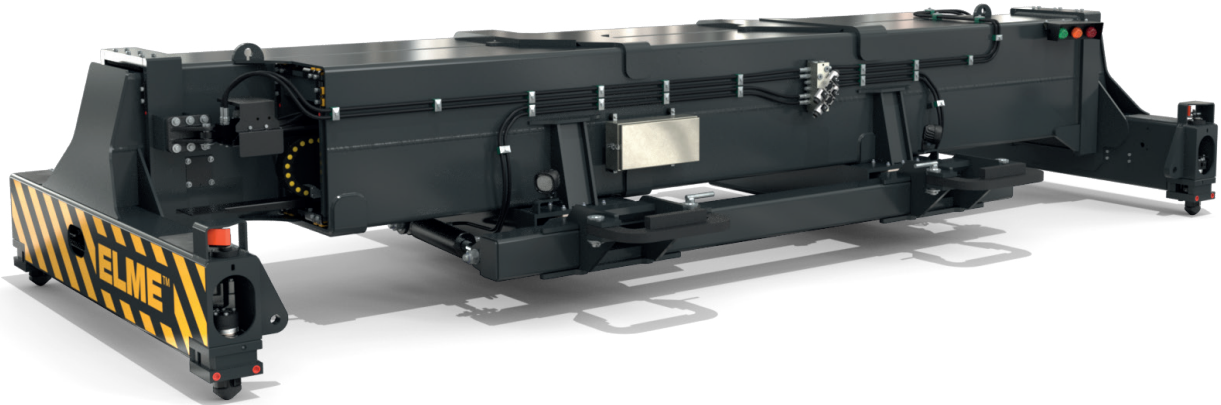


MODEL 815

FORK MOUNTED TOP LIFT SPREADER
FOR LADEN CONTAINER HANDLING



Standard supply includes:

- Mounting arrangement to fit the forks on the truck
- Four vertical pendular ISO twistlocks
- Lifting eyes near twistlocks
- Two detachable bumpers on truck side
- Hydraulic telescoping
- Hydraulic slew and reach
- Solenoid valves for all hydraulic functions
- Electrical and mechanical twistlock protection and indication system
- Electric telescoping protection system
- Lift interrupt signal
- LED-indication lights
- LED-work lights

ELME Spreader Model 815 is a telescopic top lift spreader for handling of laden ISO containers up to 45 tonnes. 815 is designed for use on the forks of a fork lift truck.

The strong and basic concept offers distinct advantages, such as two parallel telescopic beams, assuring max overlap. Beam sections dimensioned to absorb not only the vertical, but also the very considerable horizontal forces.

The spreader has two fork pockets which fits both normal and inverted forks. To secure the spreader lock pins is used behind the heels of the forks to provide safe fixation.

TWISTLOCK SYSTEM

The twistlock system is manufactured in a rugged design and is well-proven since many years. 815 has hardened ISO quick exchange pendular twistlocks. Hydraulically activated and mechanical interlocking against faulty locking and unlocking.

TELESCOPING, SLEW AND REACH SYSTEM

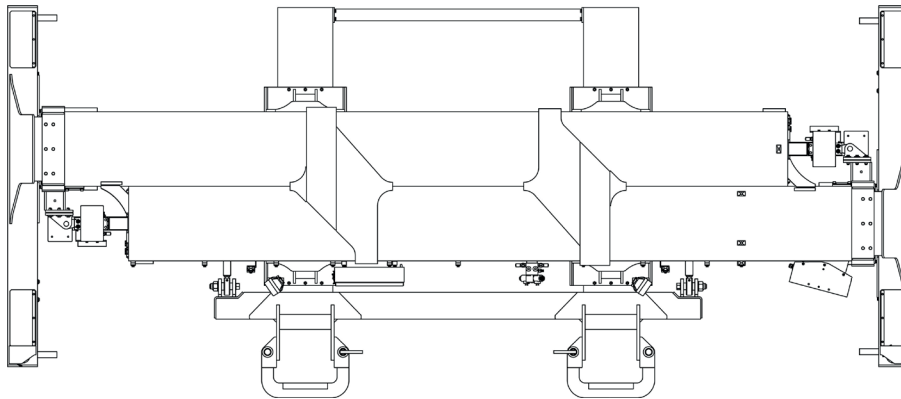
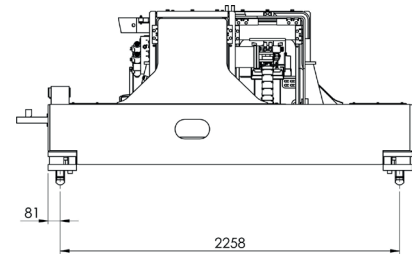
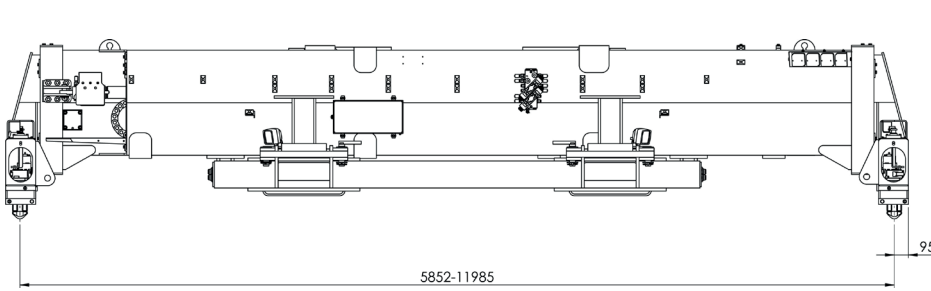
Telescoping is powered by one hydraulic cylinder inside each beam. Two hydraulic cylinders connect the fork frame to the spreader.

By activating either one or both cylinders the slew and reach function can be utilised to position the spreader accurately.

CONTROL AND PROTECTION SYSTEM

Electrical systems monitor the state of the spreader at all times. Indicator lights advise the operator when the spreader is correctly seated, locked or not locked. Each signal is a precondition for the important protection functions of the spreader. Such as twistlock activation, telescoping and lift interrupt.

MODEL 815

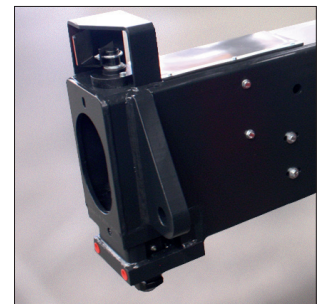


815.

TECHNICAL SPECIFICATIONS

Type of application	Fork mounted
Type of lifting system	Four vertical twistlocks
Spreader weight (TW)	7 400 kgs without extra equipment
Lifting capacity (SWL), spreader	45 tonnes ± 10 % eccentric load
Lifting capacity (SWL), lifting eyes	4 x 11,25 tonnes
Twistlock	ISO pendular 20 mm
Telescopic positions	20 and 40ft
Telescoping speed, 20-40ft	< 20 sec.*
Telescoping speed, 40-20ft	< 25 sec.*
Slew	± 4,4°
Reach	0-240 mm
Hydraulics, operating pressure up to	140 bar
Hydraulics, flow	40-60 L/min
Electric - control voltage	24 VDC
Colour	Black grey RAL 7021
Paint thickness	150 µ

* Calculated speed at 20° C



Twistlock and lifting eye.



Mounting arrangement.

All specifications are subject to change without notice. A list of options enables you to adapt the product more precisely to your needs and further information is available on request.

HEAD QUARTER AND PRODUCTION ELME Spreader AB

Phone +46 476 558 00
Email sales@elme.com
Website www.elme.com

SALES AND SPARE PARTS ELME Spreader Trading (Shanghai) Co., Ltd

Phone +86 21 5169 8922
Email sales.cn@elme.com

SPARE PARTS ELME Americas Inc.

Phone +1 731 588 02 20
Email sales.us@elme.com

For details, spare parts and more products, visit www.elme.com.

ELMETM
Swedish Spreader Systems